

## Wine Coolers

# USER MANUAL

*This manual contains important information including **safety and installation instructions** of the appliances. Please read it carefully before use and follow all safety information & instructions. It is recommended to keep this manual for easy reference so that you can be familiar with the operation of the appliance.*

# --CONTENTS--

## **01 ENERGY SAVING AND ECOLOGICAL PROTECTION**

## **03 IMPORTANT SAFETY INFORMATION**

- 06 Conformity
- 06 Energy Saving
- 06 Service

## **06 DESCRIPTION OF APPLIANCE AND INSTALLATION**

- 06 STX30DRB / STX30DS
- 07 STX60DRB / STX60DS
- 08 ST180DRB / ST180DS
- 08 STZ60SB / STZ60SX

## **09 ACCESSORY INSTALLATION BEFORE OPERATING**

- 09 UNPACKING AND CLEANING THE WINE COOLER
- 09 Adjusting the height and levelling off your wine cabinet
- 10 Installing The Handle
- 10 LOCK & UNLOCK THE DOOR (FOR OPTION)

## **11 OPERATING THE WINE COOLER**

- 11 WORKING CLIMATE
- 11 WINE STORAGE
- 12 CONTROL PANEL
- 14 POWER ON/OFF CONTROL
- 14 UNLOCKING THE CONTROL PANEL
- 15 INTERIOR LIGHTING ON/OFF CONTROL
- 15 TEMPERATURE DISPLAY WINDOW
- 15 TEMPERATURE SETTING
- 16 SELECTING FAHRENHEIT(°F) & CELSIUS (°C) DISPLAY
- 17 FUNCTION INDICATING LIGHT FOR DUAL ZONE MODELS
- 17 LIGHTING ON/OFF BUTTONS BACKLIT AND DISPLAY WINDOW
- 17 POWER SAVING MODE FOR STZ60SB AND STZ60SX
- 18 OVERHEATING WARNING FOR STZ60SB AND STZ60SX
- 18 ERROR CODE FOR STZ60SB AND STZ60SX

## **18 CARE AND MAINTENANCE**

- 18 CLEANING THE WINE COOLER
- 19 REMOVING THE SHELVES
- 20 Carbon Filter Change (Option)
- 20 Defrosting
- 20 Moving Your Wine Cooler
- 21 Power Failure
- 21 Vacation Time
- 21 Disconnecting From Power

## **22 TROUBLESHOOTING**

## **23 REVERSE THE DOOR SWING**

- 23 UNDERCOUNTER WINE COOLER
- 28 STZ60SB AND STZ60SX

31 ST180DRB AND ST180DS

**35 INSTALL REMOVABLE FRONT GRILLE**

35 STX30DRB / STX30DS / STX60DRB / STX60DS

**36 DOWNLOAD OTHER LANGUAGE USER MANUAL**

*Please removed all packaging, stickers and films from the products surface and clean the product's surfaces with a damp cloth and mild detergent before using for the first time.*

- *Let the appliance stand upright for approximately **24** hours before connecting it to the power source, which helps to reduce the possibility of a cooling-system malfunction from handling during transportation.*

Before using your Wine Coolers, please carefully read this instruction manual in order to maximize its performance. Store all documentation for subsequent use or for other owners. This product is intended solely for household use or similar applications such as:

- the kitchen area for personnel in shops, offices and other working environments
- on farms, by clientele of hotels, motels and other environments of a residential type
- at bed and breakfasts (B & B)
- for catering services and similar applications not for retail sale.

This appliance is intended to be used exclusively for the storage of wine or beverage, any other use is considered dangerous and the manufacturer will not be responsible for any omissions. Also, it is recommended that you take note of the warranty conditions.

## **ENERGY SAVING AND ECOLOGICAL PROTECTION**

**Please pay attention to the following special instructions for saving energy and ecological protection:**

- (a) The most energy-saving configuration requires shelves to be positioned in the appliance, please refer to the corresponding pictures in the manual.**
- (b) Please follow all the instructions in this manual on where and how to store wines in a the appliance for best preservation over the longest period, to avoid food waste;**
- (c) Please follow all the instructions in this manual on the recommended setting of temperatures in each compartment for optimum food preservation.**
- (d) An estimation of the impact of temperature settings on food waste: for the best storage time of wines, please consult your wine labels; the best storage time may reduce under other un-recommended temperature settings.**
- (e) The appliance has no special modes and features that can affect temperatures.**
- (f) This appliance is intended to be used exclusively for the storage of**

wine

(g) Please follow all the instructions in this manual for the correct installation and end-user maintenance, including cleaning, of the refrigerating appliance;

(h) FOR a free standing appliance: this refrigerating appliance is not intended to be used as a built-in appliance.

(i) This refrigerating appliance is not suitable for freezing foodstuffs.

(j) Access to professional repair: <https://service.temptech.no/>

(k) Ordering spare parts: Please send emails to [Service@temptech.no](mailto:Service@temptech.no)

(l) The minimum period during which spare parts, necessary for the repair of the appliance, are available:

Thermostats, temperature sensors, printed circuit boards and light sources are available for a minimum period of seven years after placing the last unit of the model on the market.

Door handles, door hinges, trays and baskets for a minimum period of seven years and door gaskets for a minimum period of 10 year, after placing the last unit of the model on the market

(m) The minimum duration of the guarantee of the refrigerating appliance offered by the manufacturer, importer or authorised representative:

Minimum guarantee is: 5 years for Norway, Sweden, Finland and Denmark.

(n) For appliances with climate class :

- Extended temperate: 'this refrigerating appliance is intended to be used at ambient temperatures ranging from 10 °C to 32 °C';

- Temperate: 'this refrigerating appliance is intended to be used at ambient temperatures ranging from 16 °C to 32 °C';

- Subtropical: 'this refrigerating appliance is intended to be used at ambient temperatures ranging from 16 °C to 38 °C';

- Tropical: 'this refrigerating appliance is intended to be used at ambient temperatures ranging from 16 °C to 43 °C';

(o) How to find the model information in the product database: Please visit our website <https://temptech.no/> to find the instruction about how to find production information in EU database.

## IMPORTANT SAFETY INFORMATION

This appliance uses flammable refrigerants and flammable insulation blowing gases. Before using the appliance, please properly position and install it as described in this manual. To avoid the risk of fire, electrical shock, or injury when using the appliance, follow these basic precautions:

- This appliance is for domestic purposes and is intended to be used exclusively for the storage of sealed bottled wines.
- The appliance must be positioned so that the plug is accessible.
- Make sure the voltage/current marked on the rating label corresponds with your supply voltage. Plug into a grounded 3-pin outlet, do not remove grounding pin, do not use an adapter, and do not use an extension cord.
- Do not connect or disconnect the electric plug with wet hands.
- To disconnect the appliance, grip the plug and pull it from the wall outlet.
- Never pull out by the cord.
- It is recommended that a separate circuit, serving only your appliance be provided.
- Unplug the appliance or disconnect power before cleaning, maintenance or servicing. Failure to do so can result in electrical shock or death.
- If the supply cord is damaged, it must be replaced by the manufacturer or its service agent or a similarly qualified person in order to avoid a hazard.
- The fuse (or circuit breaker) size should be 10 amps or higher.
- To ensure proper ventilation for the appliance, the front of the unit must be completely unobstructed. Locate the unit away from direct sunlight and sources of heat (stove, heater, radiator, etc.).
- Do not attempt to repair or replace any part of the appliance unless it is specially recommended in this manual. All other servicing should be referred to a qualified technician.
- Ensure enough peoples to move and install the appliance to avoid any damage to the appliance or injury to the peoples.
- It is important for the appliance to be leveled in order to work properly. You may adjust the appliance's feet to level it.
- Never clean the appliance parts with flammable fluids which may

create a hazard or explosion. And do not store or use gasoline or other flammable sprays and liquids in the vicinity of the appliance.

- Do not use solvent-based cleaning agents or abrasives on the interior. These cleaners may damage or discolor the interior.
- Do not use this appliance for other than its intended purpose.
- Do not store explosive substances such as aerosol cans with a flammable propellant in this appliance.
- The use of attachments not recommended by the manufacturer may be hazardous.
- Please keep the products away from the fire or similar glowing substance before you dispose the appliance.
- GWP (Global Warming Potential):  $R600a=3$
- When you dispose the appliance, take off the door and leave the shelves in place so that children may not easily climb inside. And make sure the coolant circuit, particularly the heat exchanger at the back/bottom of the unit is not be damaged.
- The recycle symbol on the product or its packaging indicates that this product is not to be handled as normal household waste and it is to be taken to a recycling collection point for electrical and electronic goods.
- This appliance can be used by children aged from 8 years and above and persons with reduced physical, sensory or mental capabilities or lack of experience and knowledge if they have been given supervision or instruction concerning use of the appliance in a safe way and understand the hazards involved. Children shall not play with the appliance. Cleaning and user maintenance shall not be made by children without supervision.
- This appliance is not intended for use by persons (including children) with reduced physical, sensory or mental capabilities, or lack of experience and knowledge, unless they have been given supervision or instruction concerning use of the appliance by a person responsible for their safety.
- Children aged from 3 to 8 years are allowed to load and unload refrigerating appliances. They must have been given supervision or instruction concerning use of the appliance by a person responsible for their safety.
- This appliance is intended to be used in household and similar applications such as:
  1. staff kitchen areas in shops, offices and other working environments;
  2. farmhouses and by clients in hotels, motels and other residential type environments;

3.bed and breakfast type environments;

4.catering and similar non-retail applications

– **WARNING:** Keep ventilation openings, in the appliance enclosure or in the built-in structure, clear of obstruction.

– **WARNING:** Do not use mechanical devices or other means to accelerate the defrosting process, other than those recommended by the manufacturer.

– **WARNING:** Do not damage the refrigerant circuit.

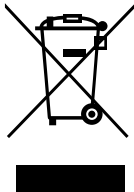
– **WARNING:** Do not use electrical appliances inside the food storage compartments of the appliance, unless they are of the type recommended by the manufacturer.

- **WARNING:** When positioning the appliance, ensure the supply cord is not trapped or damaged.

- **WARNING:** Do not locate multiple portable socket- outlets or portable power suppliers at the rear of the appliance.

- **WARNING:** To avoid a hazard due to instability of the appliance, it must be fixed in accordance with the instructions

## SCRAPPING OLD APPLIANCES



This appliance is marked according to the European directive 2012/19/EU on Waste Electrical and Electronic Equipment (WEEE).

WEEE contains both polluting substances (which can cause negative consequences for the environment) and basic components (which can be re-used). It is important to have WEEE subjected to specific treatments, in order to remove and dispose properly all pollutants, and recover and recycle all materials.

Individuals can play an important role in ensuring that WEEE does not become an environmental issue; it is essential to follow some basic rules:

--WEEE should not be treated as household waste;

--WEEE should be handed over to the relevant collection points managed by the municipality or by registered companies. In many countries, for large WEEE, home collection could be present.



In many countries, when you buy a new appliance, the old one may be returned to the retailer who has to collect it free of charge on a one-to-one basis, as long as the equipment is of equivalent type and has the same functions as the supplied equipment.

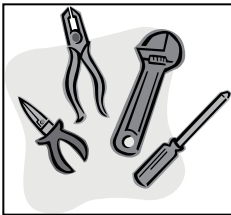
## ■ Conformity

By placing the **CE** marking on this product, we declare, on our own responsibility, compliance to all of European safety, health and environmental requirements stated in the legislation for this product.

## ■ Energy Saving

- Always ensure good ventilation. Do not cover ventilation opening or grille.
- Always keep fan louvers clear.
- Do not place appliance in areas of direct sunlight or close to a stove, heater or similar object.
- Open or keep the doors open as little as possible
- Remove dust present on the rear of the appliance

## ■ Service



- You should not attempt to repair the appliance yourself, as this could cause injury or a more serious malfunction. If you require a service call then please contact the Customer Care Department

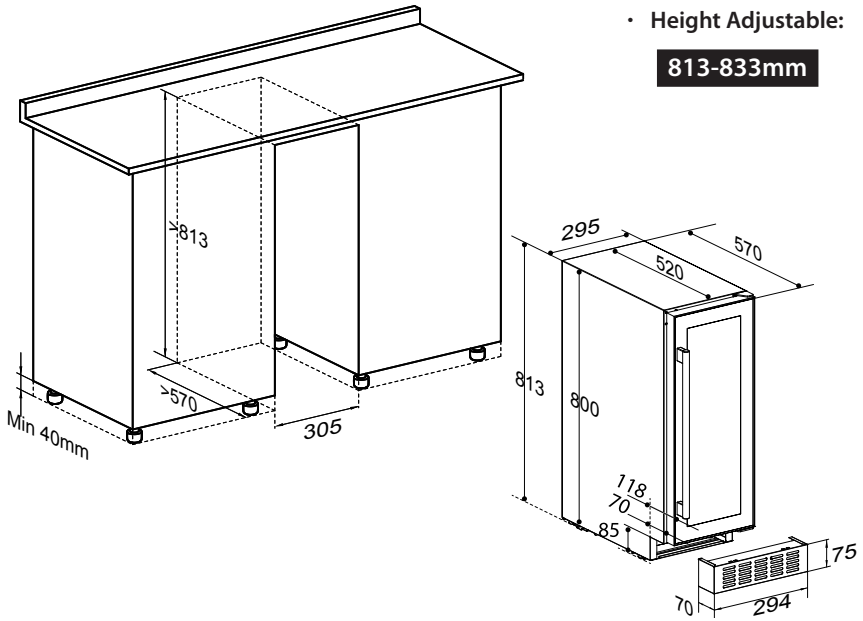
## DESCRIPTION OF APPLIANCE AND INSTALLATION

The following pictures only show description of appliance. The dimension and shelf quantity may differ among the models of the same series.

### ■ STX30DRB / STX30DS

• Height Adjustable:

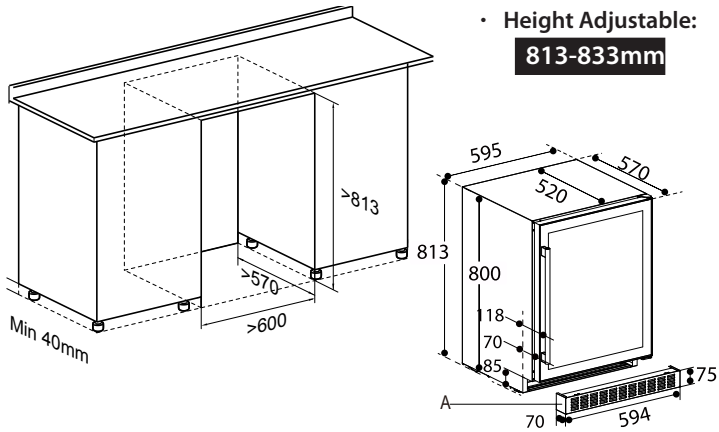
**813-833mm**



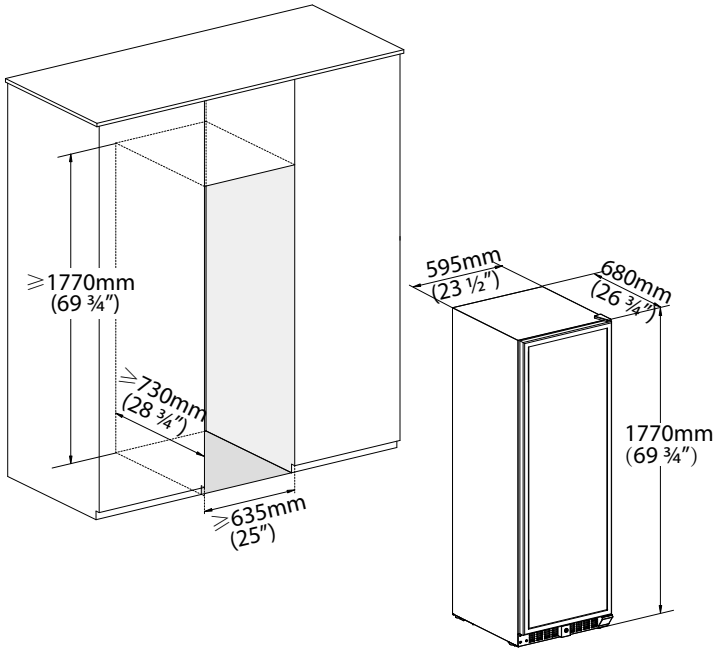
■ **STX60DRB / STX60DS**

• Height Adjustable:

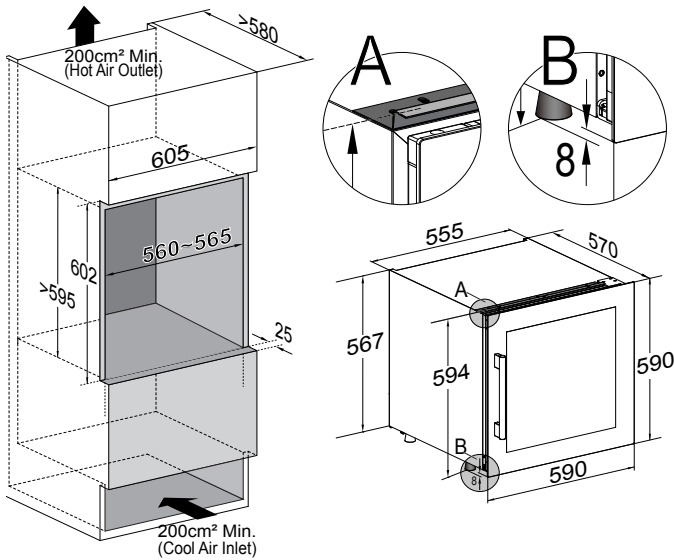
**813-833mm**



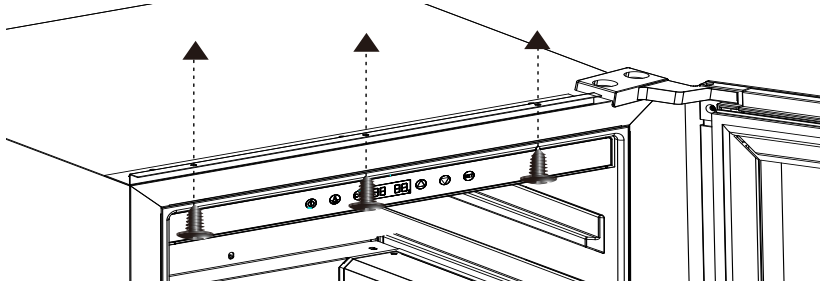
■ ST180DRB / ST180DS



■ STZ60SB / STZ60SX



To fix the appliance with Cabinet, pls. screw the 3 screws (ST4.2\*12mm) through the Top Bracket. The Top Bracket is pre-installed on top of appliance.



## ACCESSORY INSTALLATION BEFORE OPERATING

### ■ UNPACKING AND CLEANING THE WINE COOLER

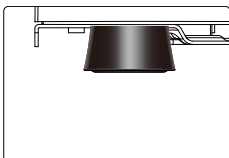
- Remove the exterior and interior packing materials.
- Let the appliance stand upright for approximately **24 hours** before connecting it to the power source, which helps to reduce the possibility of a cooling-system malfunction from handling during transportation.
- Use a soft cloth to clean the interior surface with lukewarm water.

**IMPORTANT: The front louver at the base of the appliance is for ventilation. Nothing should be placed in front of this front louver; otherwise your Wine Cooler may not operate properly.**

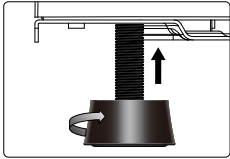
- A decorative plinth can be fitted to the front of the base vent, a cut-out should be made in the plinth with bigger size than the front louver. The cut out is required whether the front louver is removed or not.

### ■ Adjusting the height and levelling off your wine cabinet

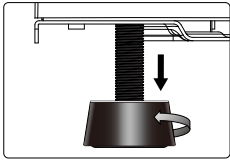
- The appliance is equipped with adjustable feet, so that the height may be adjusted to level the cabinet on uneven floor surfaces.
- We recommend that two people carry out this procedure.
- The height must be adjusted prior to building the appliance into the housing unit and it should be set at such a height that the top panel of the appliance fits exactly below the kitchen worktop.



- Tilt the appliance approximately 60° to allow access to the adjustable feet.
- Take care to ensure the cabinet is supported at all times.



o Twist the foot into a suitable position to level the cabinet.

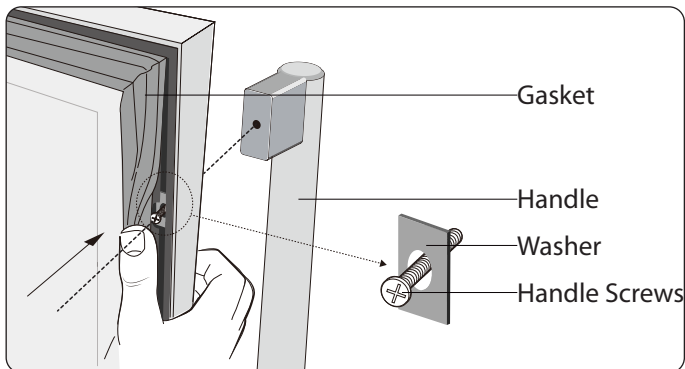


o Repeat these steps for the other adjustable feet.

**IMPORTANT:** If the appliance is not level, then the door and door seal may be affected.

**IMPORTANT:** Do not move the appliance when the feet are adjusted high.

## ■ Installing The Handle



- Remove the door Gasket slightly to expose the two screw holes.
- Fix the Handle by screwing the two Handle Screws tightly, the Handle Screws with Washers are pre-installed inside the screw holes, pls.do not unscrew the Handle Screws too much in case the Washers fell off.
- Replace the Gasket.

## ■ LOCK & UNLOCK THE DOOR (FOR OPTION)

- Lock is an optional function. If your Wine Cooler has such function, a key should be attached inside the packing of this Manual.
- Insert the key into the lock and turn it counter-clockwise to unlock the door. To lock it, please turn clockwise. Please save the key well.

# OPERATING THE WINE COOLER

## ■ WORKING CLIMATE

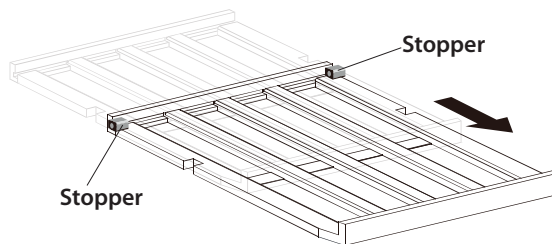
- The appliance is designed for operating from SN to T climate (see below climate class chart). It is recommended to maintain the ambient around 22-25°C which helps the appliance working with low power consumption.

Klimaklasse	Romtemperatur
SN	10 - 32 °C (50°F-90°F)
N	16 - 32 °C (61°F-90°F)
ST	16 - 38 °C (61°F-100°F)
T	16 - 43 °C (61°F-109°F)

- If the ambient temperature is above or below the designed climate range, the performance of the unit may be affected. For example, the appliance operating in extreme cold or hot conditions may cause interior temperatures to fluctuate, and the temperature set 5-22°C may not be reached sometimes.

## ■ WINE STORAGE

- The standard shelves are designed perfectly for Bordeaux bottle storage. The maximum loaded bottles may vary subject to the different size or dimension wine bottles you store.
- The shelves is allowed to be pulled out by about 1/3 length of it for easy access to the wine storage.



- To prevent damaging the door gasket, make sure to have the door opened fully all the way before pulling the shelves out.
- Please store wine in sealed bottles.
- Do not cover the shelves with aluminum foil or any other shelf material which may prevent air circulation.
- If the wine cooler is left empty for long periods, switch off, defrost, clean, dry, and leave the door open to prevent mould developing within the appliance.

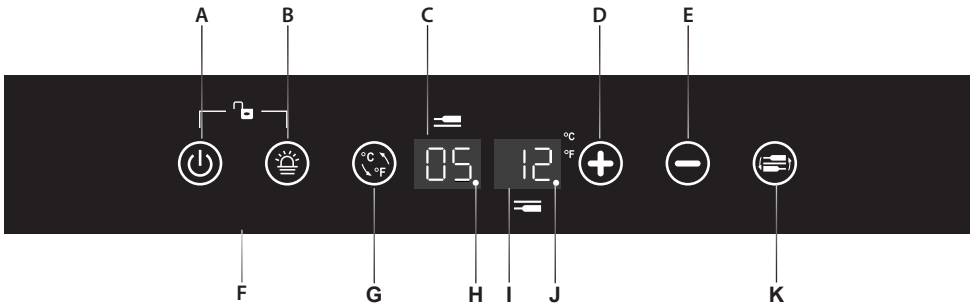
- Pay attention to the recommended/preferable storage time of the wines you bought.
- Opening the door for long periods can cause a significant increase of the temperature in the compartments of the appliance. The recommended temperature for chilling/storing wines is as below, please choose zones and temperatures accordingly.

Wine Type	Recommender Temp.
Red Wines	15 - 18°C (59°F-64°F)
Dry/White Wines	9 - 14°C (48°F-57°F)
Rose Wines	10 - 11°C (50°F-52°F)
Sparkling Wines	5 - 8°C (41°F-46°F)

**■ CONTROL PANEL**

• **For Dual Zone**

Includes STX30DRB, STX30DS, STX60DRB, STX60DS, ST180DRB and ST180DS



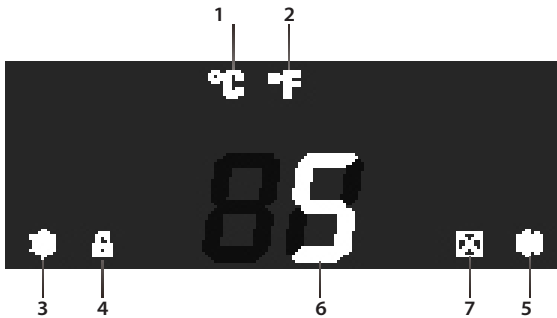
- |                |                 |                              |                              |                         |                |
|----------------|-----------------|------------------------------|------------------------------|-------------------------|----------------|
| A. Power       | B. Lighting     | C. Upper Zone Display Window | D. Temp. Plus                | E. Temp.Minus           |                |
| F. Lock/Unlock | G. °C/°F Switch | H. Function Indicator 1      | I. Lower Zone Display Window | J. Function Indicator 2 | K. Zone Select |

## For Single Zone STZ60SB and STZ60SX



1		Power	5		Temp.Plus
2		Light	6		Temp.Minus
3		Lock	7		°C/°F Switch
2+6		Temp. Display Mode			
4	Display Window				

## Marks on Display Window





1		°C	5		Warning
2		°F	6		Digital
3		Compressor	7		Screen on
4		Lock			




## ■ POWER ON/OFF CONTROL

### For Dual Zone

**Includes STX30DRB,STX30DS,STX60DRB,STX60DS,ST180DRB, ST180DS**

- When the appliance is plugged in to a power outlet, it powers on automatically.
- Touch the power mark  and hold for **10 seconds** to turn off (or turn on) the appliance.
- No matter it is under a locked or unlocked condition, you can turn off the appliance by touching the power mark  and holding for **10 seconds**.

### For Single Zone STZ60SB and STZ60SX

- o The appliance will be turned on automatically when it is plugged;
- o The appliance will not be turned off unless to unplug it;
- o To stop all functions, press the power button for 3 seconds whatever the control panel is locked or unlocked, a beep will sound, the appliance will be on standby condition;
- o During the standby condition, the button  will light on and flash once each 2 seconds;
- o To restart all functions, press the power button for 3 seconds again whatever the control panel is locked or unlocked, a beep will sound.





**Warning: To avoid damaging the compressor, please do not turn on the appliance again within 5 minutes after you turn it off.**


## ■ UNLOCKING THE CONTROL PANEL

### For Dual Zone

**Includes STX30DRB,STX30DS,STX60DRB,STX60DS,ST180DRB, ST180DS**


- To unlock the control panel, touch the power mark and lighting mark   with 2 fingers at the same time and hold for **3 seconds** . When unlocked a buzz sound will be heard.
- The control panel will be automatically locked with a buzz sound heard after **10 seconds** without being touched.
- Under the locked condition, the control panel will not react to any touching order for Lighting On/Off and Temperature Setting.

### For Single Zone STZ60SB and STZ60SX

- o To unlock the control panel, press the lock button **3 seconds** , the lock mark  on the screen will be light off with a beep sounded;






- To unlock the control panel, press the lock button **3 seconds** again, the lock mark  on the screen will be light on with a beep sounded;

- Note: System will be in unlocking state by default once the appliance is powered up and energized. Indicator LED9 lights when system is locked. System has no automatic locking and no automatic memory either.

## ■ INTERIOR LIGHTING ON/OFF CONTROL

### For Dual Zone

Includes STX30DRB, STX30DS, STX60DRB, STX60DS, ST180DRB and ST180DS

- Under the unlocked condition, touch the lighting mark  to turn on (or turn off) the interior cool LED lighting.
- The lighting will stay on until it is manually turned off.

### For Single Zone STZ60SB and STZ60SX

○ The Interior Light can be turned on/off gradually alone by pressing the Light button



whatever the control panel is locked or unlocked;

○ The Interior Light can be turned on/off gradually alone by pressing the Light button



whatever the door is open or close;

## ■ TEMPERATURE DISPLAY WINDOW

- The temperature is displayed in digital which is the best way to be read out. The digital is shown as the set temperature when you are setting the temperature.
- When the temperature probe is out of order, the display window will show with "**HH**" or "**LL**" instead of a digital figure while continuous buzz sound will be heard. In case of this happens, this appliance is considerably designed to keep periodical running of compressor and fans which helps to keep the coldness of the inside cabinet to protect your stored wines.



**Warning:** To avoid destroying your stored wines, it is strongly recommended to have the appliance repaired immediately, as the spare periodical running can not ensure the appliance to achieve the temperature you have set.



## ■ TEMPERATURE SETTING

### For Dual Zone







Includes STX30DRB, STX30DS, STX60DRB, STX60DS, ST180DRB, ST180DS

- The default temperature setting ranges are 5-12 °C (41-54 °F) for the upper zone

and 12-20 °C (54-68 °F) for the bottom zone.

- Touch the mark  to increase the set temperature by 1°C (or by 1°F). On the contrary, touch the mark  to decrease the set temperature by 1°C (or by 1°F).


### For Single Zone STZ60SB and STZ60SX

- o The range of temperature is 5-20 °C (41-68 °F);
- o Make sure the Control Panel is under unlocked condition;
- o The digital  will start to flash and show the previous set temperature for the first press of Temperature Plus or Minus button;
-  o When the digital is flashing, press the Temperature Plus Button once, the digital  will be increased by 1°C/1°F with a sound of beep;
-  o When the digital  is flashing, press the Temperature Minus Button once, the set temperature will be decreased by 1°C/1°F with a sound of beep;
- o When the digital shows the desired temperature, leave all buttons no touching about 5 seconds, your setting will be saved with a sound of beep, the digital  will not flash and start to show the set temperature inside of the cabinet .



## ■ SELECTING FAHRENHEIT(°F) & CELSIUS (°C) DISPLAY

### For Dual Zone

**Includes STX30DRB,STX30DS,STX60DRB,STX60DS,ST180DRB, ST180DS**

When the control panel is unlocked, directly touch the mark , you can interchange the Fahrenheit and Celsius display for both zones at the same time.

### For Single Zone STZ60SB and STZ60SX

-  o To switch °C to °F, press the button  once, the mark **°F** will light on on the display window, the mark **°C** will light off at the same time;
- o The button can be pressed whatever the control panel is locked or unlocked;
- o Your setting will be saved as new default temperature scale unless to re-set it.

## ■ FUNCTION INDICATING LIGHT FOR DUAL ZONE MODELS

Includes STX30DRB,STX30DS,STX60DRB,STX60DS,ST180DRB, ST180DS



Function Indicator 1






Function Indicator 2

- o The Indicator 1 will flash every **2 seconds** when the unit is plugged in;
- o The Indicator 1 will stay on when the compressor starts to work;
- o The Indicator 2 will flash every **3 seconds** when the heating function of lower zone starts to work;
- o The Indicator 2 will stay on when the cooling function of lower zone starts to work.

## ■ LIGHTING ON/OFF BUTTONS BACKLIT AND DISPLAY WINDOW

- o All buttons backlit will light on when plugged;
- o All buttons backlit except the Power button will light off automatically if no more touching on the Control Panel within 15 seconds from the final operation;
- o If the Display Window is set to Power Saving Mode, the window will be light off automatically if no more touching on the Control Panel within 60 seconds from the final operation;
- o All buttons backlit will light on with a sound of beep if any pressing on any buttons except the appliance is on standby condition;
- o If the Display Window is set to Power Saving Mode, it will light on with a sound of beep if any pressing on any buttons;


## ■ POWER SAVING MODE FOR STZ60SB AND STZ60SX

- o The Display Window is with Power Saving Mode, the default mode is "off", the Screen mark  will light on to indicate the Display Window will light on always;
- o To turn on the Power Saving mode, make sure the control panel is under locked condition;
- o Press the light button  for 3 seconds, a beep will sound, the Screen mark  will light off to indicate the Display Window is on Power Saving Mode;
- o Your setting will be saved as new default mode unless to re-set it.




## ■ OVERHEATING WARNING FOR STZ60SB AND STZ60SX




- o The Overheating Warning will be activated automatically when the temperature in cabinet goes up to more than 25°C(77°F) included and last for more than 3 hours, at the same time, the buzzer alarm will sound loudly, the lighting inside will flash, the Warning mark  will light on, the digital **85** will show 25°C or 77°F and flash once each 2 seconds, in such case, pls.call your local after-sale service immediately;
- o The Overheating Warning will be turned off automatically when the temperature in cabinet goes down less than 25°C(77°F) and last for more than 2 minutes;

## ■ ERROR CODE FOR STZ60SB AND STZ60SX



- o If the Error Code **88** shown on Display Window, it indicates the "Open Circuit" of Temp. Sensor happened, the buzzer alarm will sound loudly, the Warning mark  will light on, in such case, pls.call your local after-sale service immediately to replace the Temp.Sensor;



- o If the Erros Code **HH** shown on display window, it indicates the "Short Circuit "of Temp. Sensor happened, the buzzer alarm will sound loudly, the Warning mark  will light on, in such case, pls.call your local after-sale service immediately to replace the Temp.Sensor;

# CARE AND MAINTENANCE

## ■ CLEANING THE WINE COOLER

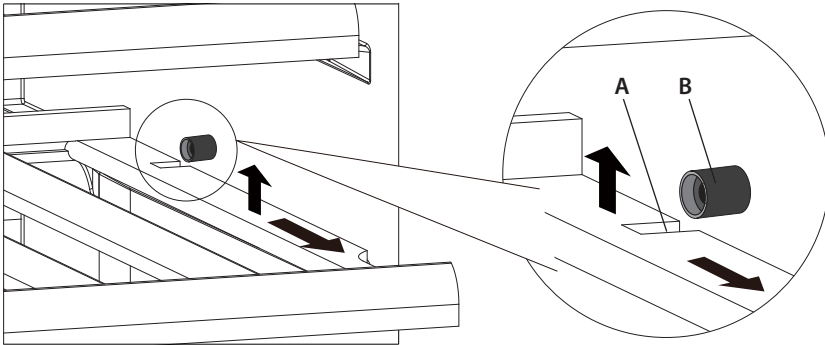
- Clean regularly surfaces of the wine cooler to avoid contamination of wines.
- Turn off the power, unplug the appliance, and remove all items including shelves.
- Wipe the inside surfaces with a sponge and baking soda solution. The solution should be about 2 tablespoons of baking soda to 1 quart (approx. 1 litre) of warm water.
- Wash the shelves with a mild detergent solution. Allow wooden shelves to dry before placing back into the wine cooler.
- Wring excess water out of the sponge or cloth when cleaning area of the controls, or any electrical parts.
- Wipe the outside cabinet with warm water and mild liquid detergent. Wipe dry with a clean soft cloth.
- Do not use steel wool or steel brush on the stainless steel. These will scratch the stainless steel with steel particles and rusting may occur.

## ■ REMOVING THE SHELVES

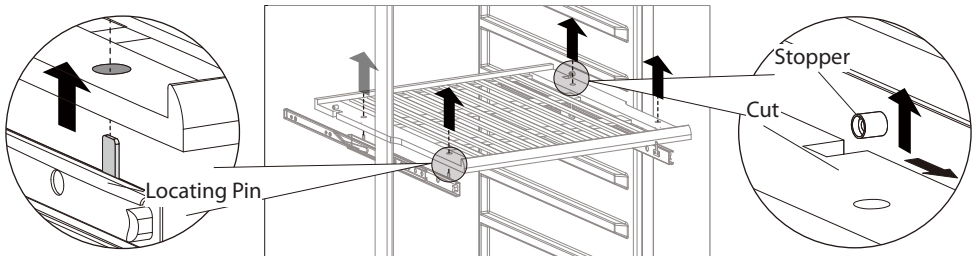
- Before removing a Shelf from the appliance, it is necessary to remove all the bottles on the Shelf ;
- For a model without Telescopic Rail, move the shelf to the position where the cut of the wooden shelf is directly under the plastic stopper and lift the wooden shelf. Please ensure these are replaced when the shelf is put back.
- Make sure the shelves are fully engaged before loading any bottle into the cabinet. Pull the shelves out all the way to the STOPPER position and push them back in several times to make sure the shelves are properly engaged.

A. Cut

B. Plastic Stopper



- For a model with Telescopic Rail, pls. lift the whole Shelf upwards horizontally to get it off from the 4 Locating Pins of Telescopic Rail.



## ■ Carbon Filter Change (Option)

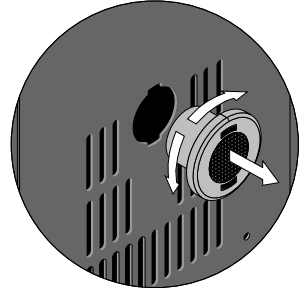
A good ambient air quality is important for wine maturing. The Carbon Filter is very helpful to absorb odor and improve air quality. For the models with Carbon Filter, we suggest to replace it once a year. Please contact your dealer to get the filter.

Removing the Carbon Filter:

o Hold the Carbon Filter and turn it 90° to the left or right to Remove it;

Reinstalling the Carbon Filter:

o Hold the Carbon Filter and turn it 90° to the left or right until it clicks into place.



## ■ Defrosting

o Defrosting occurs automatically inside of the Wine Cooler during operation. The defrost water is collected by the evaporating tray and evaporates automatically.

o The evaporating tray and defrost water drain hole should be cleaned periodically. This will prevent water from collecting in the bottom of the Wine Cooler, instead of flowing down the defrost drainage channel and drain hole.

o You can also pour a small amount of water down the drain hole to clean inside of it.

o You should be careful to make sure that wine bottles do not touch the rear wall of the appliance, as this can interrupt the automatic defrosting process and deflect water into the base of your Wine Cooler.

## ■ Moving Your Wine Cooler

If you need to move your Wine Cooler to another location you should follow the steps outlined below.

o Remove all items from the Wine Cooler.

o Securely tape down all loose items such as the shelves inside of the appliance.

o Turn the adjustable foot up to the base to avoid damage.

o Tape the door closed.

o Ensure the appliance stays secure in the upright position during transportation. Also protect the outside of the appliance with a blanket or similar item.

## ■ Power Failure

- o If power is cut to the appliance, for a few hours it will be able to maintain the temperature inside the cabinet. Providing that the number of times that the door is opened is kept to a minimum.
- o If the power cut is for longer than a few hours, then you will need to store the contents in an alternate location to prevent them being affected by temperature rise.

***IMPORTANT: If the appliance is unplugged, the power is lost or turned off you must wait 5 minutes before restarting the Wine Cooler. If you attempt to restart before this time delay, the compressor could be damaged.***

## ■ Vacation Time

***Short vacations:*** Leave the Wine Cooler in operation for holidays of less than 3 weeks.

***Long vacations:***

- o If your appliance is not going to be in use for a period of time, you should remove the bottles of wine and switch off the appliance
- o The interior should be cleaned with a solution of bicarbonate of soda and lukewarm water.
- o The interior should then be thoroughly dried.
- o To prevent mould growth, the door should be left slightly ajar.

## ■ Disconnecting From Power

- o If the unit is unplugged, or there is a power cut, you must wait for 5 minutes before restarting. Attempting to restart the Wine Cooler before 5 minutes has elapsed, may cause it not to function.



## TROUBLESHOOTING

If you feel the appliance is not working properly, follow these instructions to try to see if you can solve the problem simply by yourself before calling for service.

No.	PROBLEM	PROBLEM POSSIBLE CAUSE / MEASURE
1	The wine cooler does not operate	Not plugged in. The appliance is turned off. The circuit breaker tripped or a blown fuse.
2	The wine cooler is not cold enough	Check the temperature control setting. External environment may require a higher setting. The door is opened too frequently. The door is not closed completely. The door gasket does not seal properly.
3	Automatically turn-on and turn-off frequently	The room temperature is hotter than normal. A large amount of contents has been added to the wine cooler. The door is opened too frequently. The door is not closed completely. The temperature control is not set correctly. The door gasket does not seal properly.
4	The lighting does not work	Not plugged in. The circuit breaker tripped or a blown fuse. The lighting is turned off.
5	Too much vibration	Check to assure that the appliance is level. Check to assure no parts inside the cabinet or in the compressor chamber are loose.
6	The wine cooler seems to make too much noise	The rattling noise may come from the flow of the refrigerant, which is normal. As each cycle ends, you may hear gurgling sounds caused by the flow of refrigerant. Contraction and expansion of the inside walls may cause popping and crackling noises. The appliance is not level.
7	The door will not close properly.	The wine cooler is not level. The door was reversed and not properly installed. The gasket is dirty. The shelves are out of position.
8	The display window is shown with "HH" or "LL" instead of a digital figure, and/or with continuous buzz sound.	The temperature probe is out of order.

# REVERSE THE DOOR SWING

## Remarks:

- The following operations are available for a model with control in cabinet only and with Right Door Hinge installed.
- All removed parts must be saved in order to do the door reinstallation.

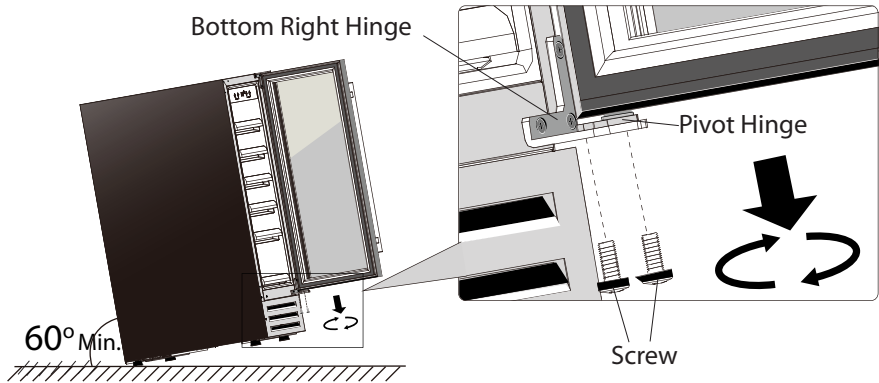
## ■ UNDERCOUNTER WINE COOLER

**Include models: STX30DRB, STX30DS, STX60DRB, STX60DS**

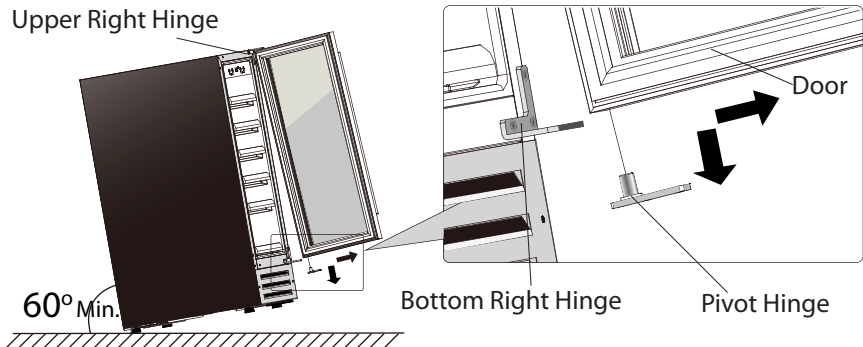
## Remarks:

- To reverse the door from right hinge to left hinge, you need to get ready 2 new spare parts: an **Upper Left Hinge**, and a **Bottom Left Hinge**.
- All removed parts is suggested to be saved in case of door re-reversal.

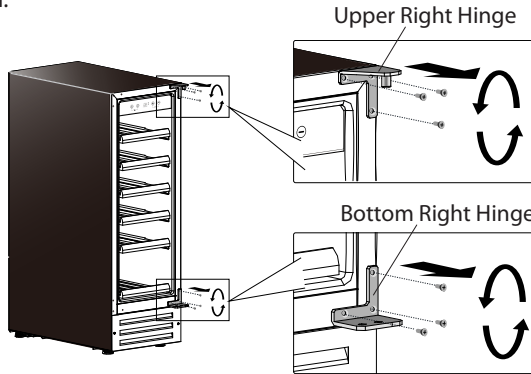
**1.** Open the door, and loosen the 2 screws from Pivot Hinge of the Bottom Right Hinge.



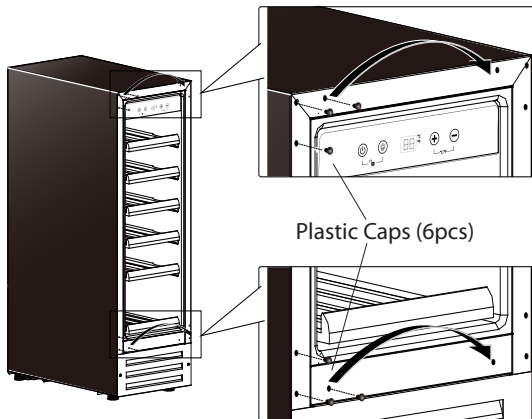
**2.** Carefully remove the door from the Upper Right Hinge and prevent it from scratching. Take out the Pivot Hinge from the door hinge hole.



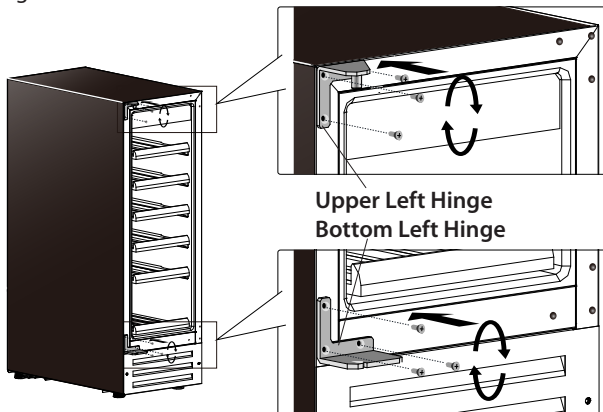
- 3.** Unscrew the Upper Right Hinge and Bottom Right Hinge from the cabinet. Keep them well for door re-installation.



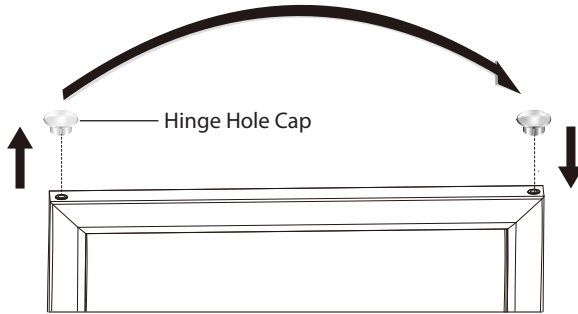
- 4.** Pull out the 6 Plastic Caps at the front left corner of the cabinet. And move them all to the right side.



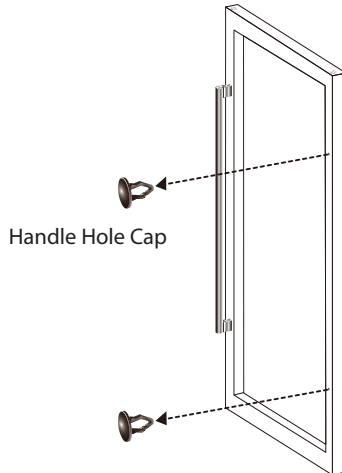
- 5.** Install the Upper Left Hinge and Bottom Left Hinge to the left side of the cabinet. Make sure the screws are tightened.



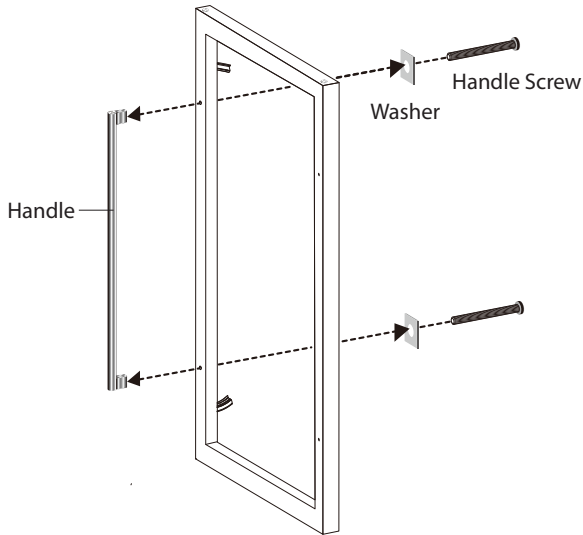
6. Move the Hinge Hole Cap (at the top of the door) from the left side to the right side.



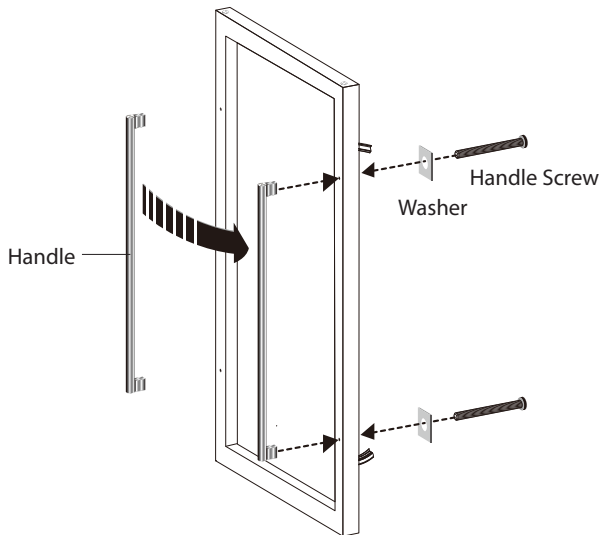
7. Remove the Handle Hole Cap (2pcs) on the right side of Door by prying it out gently with small flat screwdriver.



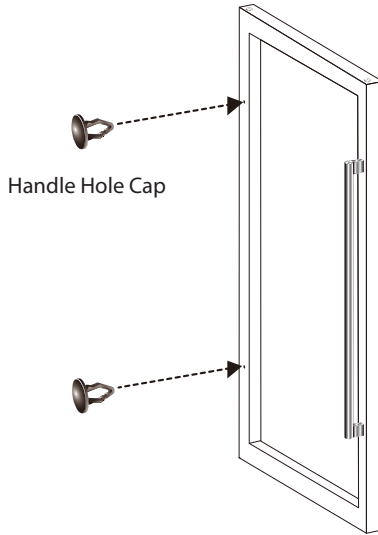
8. Gently pull the door gasket to one side to reveal the Handle Screws (2pcs) on the left side of the Door. Unscrew it with a cross screwdriver and Remove the Handle (Leave the Washers as where it is).



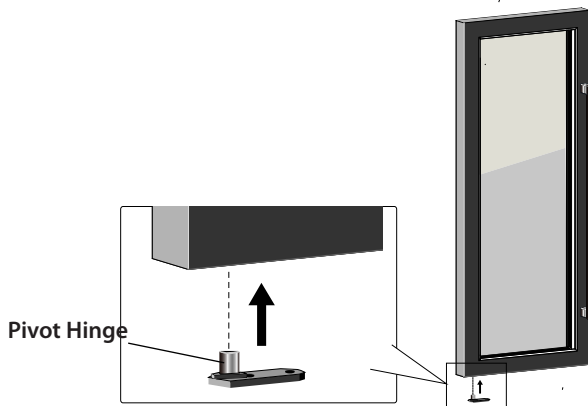
9. Install the Handle to the right side of the door by screwing tightly the Handle Screws (2PCS).



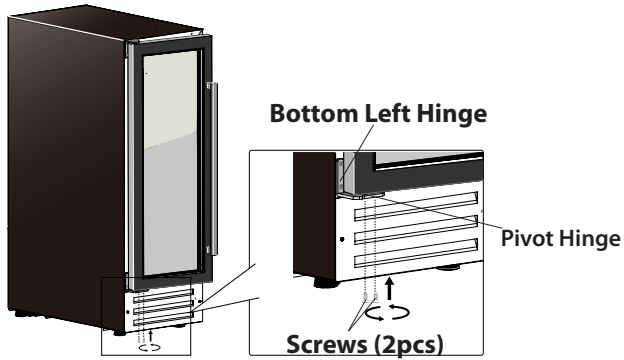
**10.** Push the Handle Hole Cap (2pcs) into the Handle Holes on the left side of the Door.



**11.** Insert the Pivot Hinge into the bottom hinge hole of the door.



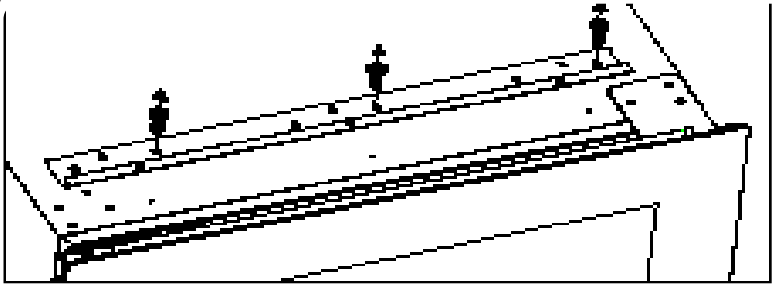
12. Install the door to the left hinge side by tightening the Pivot Hinge with the 2 screws.



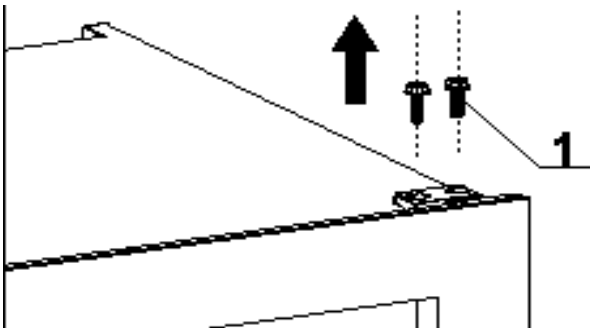
### ■ STZ60SB AND STZ60SX

Notes: Any parts and screws that you remove from the appliance whilst reversing the door, should be retained for later use.

o Unscrew the 3 Phillips Pan Tapping Screws (ST4.2\*11) from the Top Bracket, remove the Top Bracket;



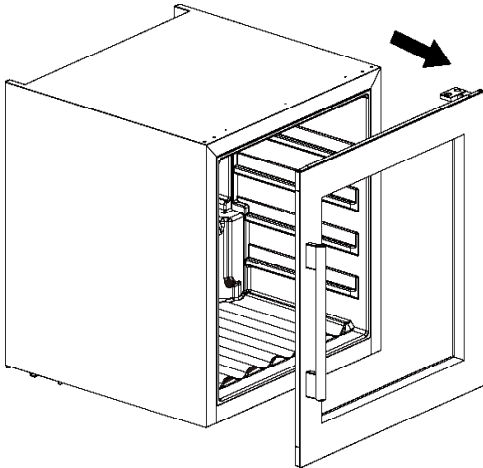
o Unscrew the 2 Hex Phillips Screws (M5\*16) from the Right Upper Hinge;



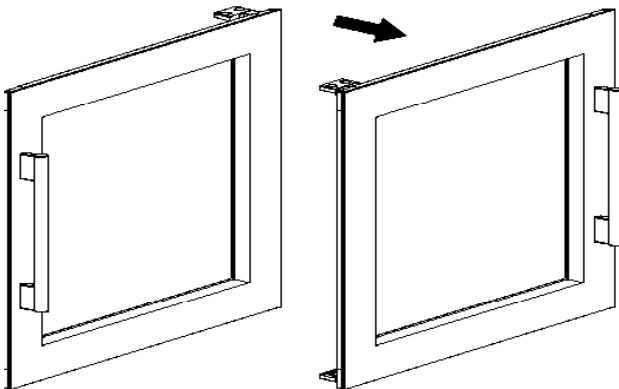
o Unscrew the 2 Phillips Flat Screws ( M4\*8) from the right lower Door Hinge;



o Hold the Door by two persons if necessary, remove the Door ;

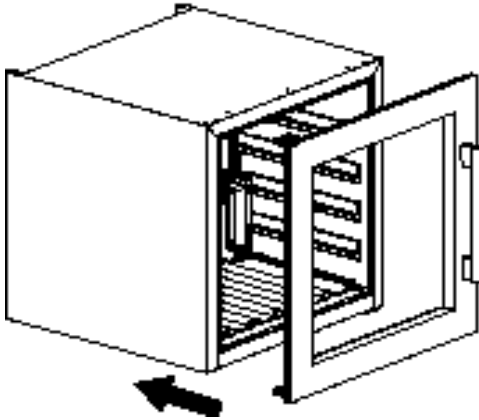


o Rotate the door by 180 degrees ;

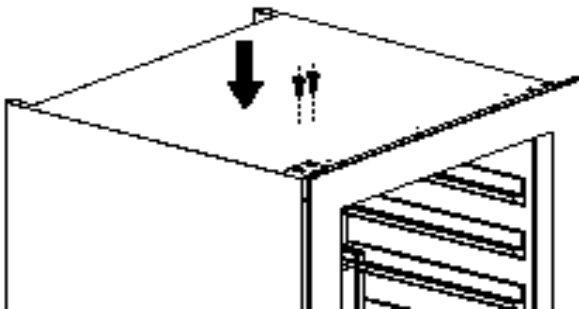




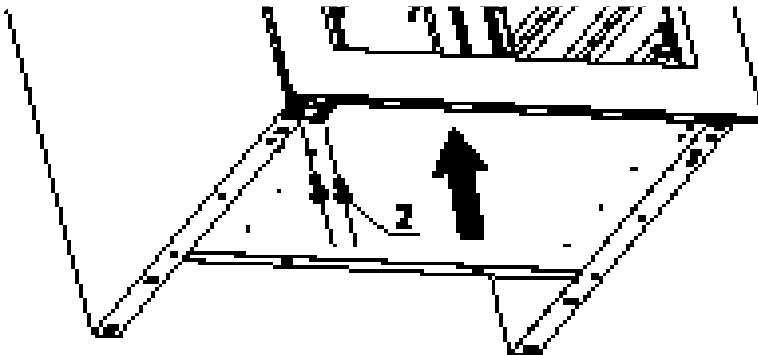
o Make sure the hole position of the left door hinge is aligned with the hole position on the cabinet;



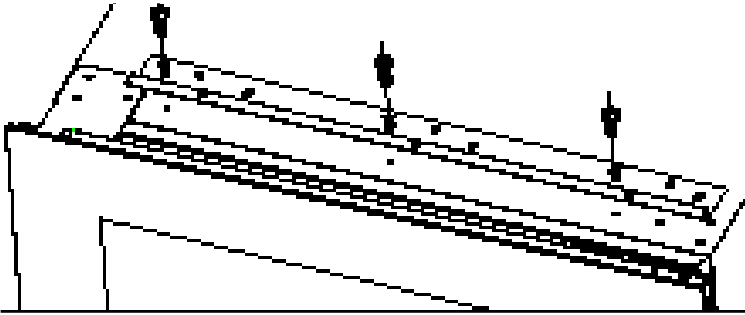
o Install the Upper Door Shaft (Left/Right) on the upper left door corner by screwing the 2 Phillips Flat Screws ( M4\*8);



o Install the Upper Door Shaft (Left/Right) on the upper left door corner by screwing the 2 Phillips Flat Screws ( M4\*8)




o Install the Top Bracket by screwing the 3 screws.

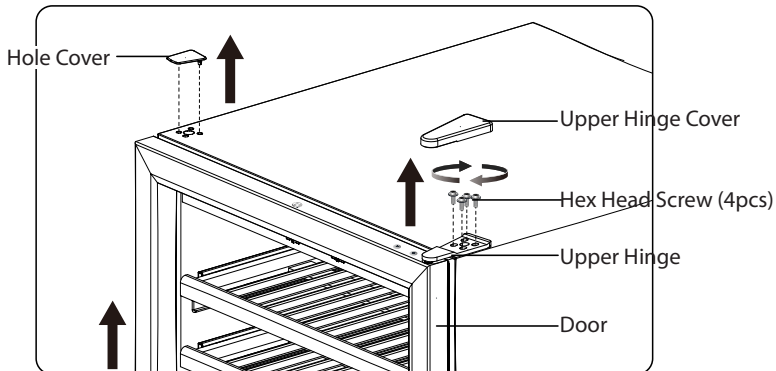


## ■ ST180DRB AND ST180DS

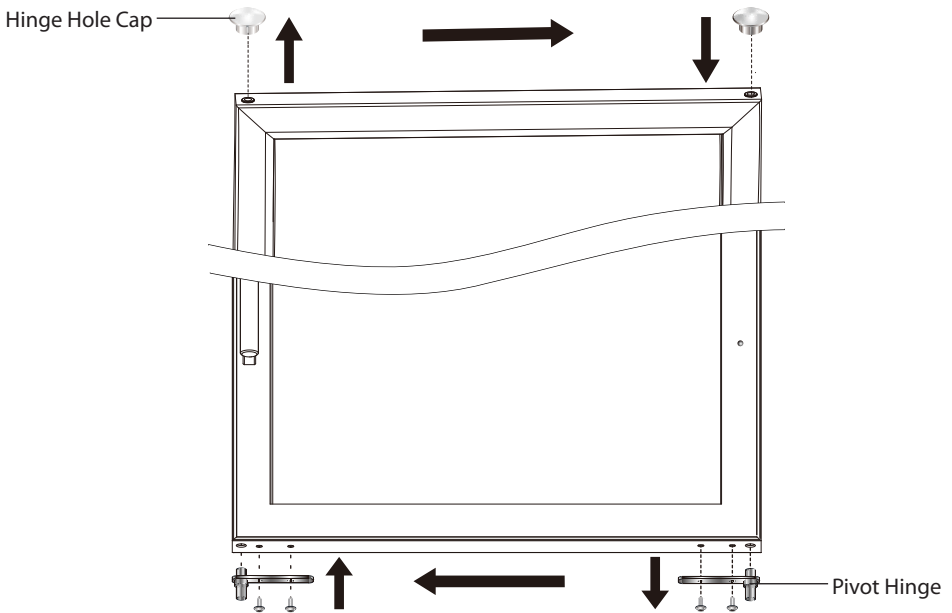
### IMPORTANT INFORMATION

We recommend that you secure the racks in place using adhesive tape to prevent causing damage when handling the appliance and store all removed parts carefully.

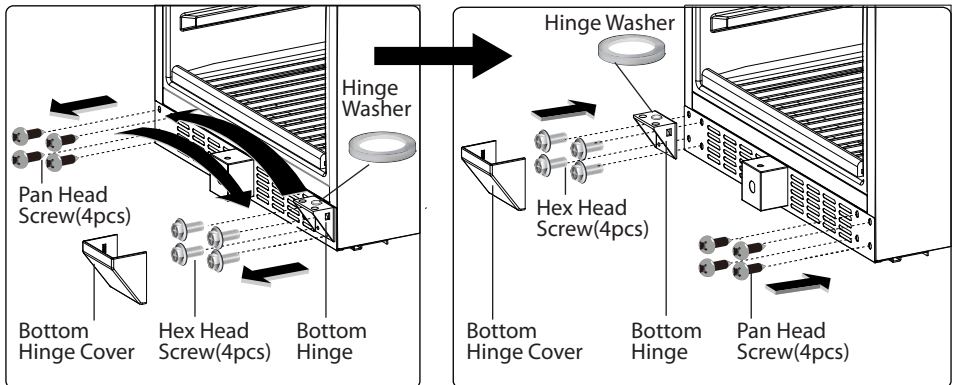
1. Remove the Hole Cover and Upper Hinge Cover on top side using a flat-head screwdriver. Remove the Upper Hinge by unscrewing the Hex Head Screws (4pcs). Now carefully lift the Door off the Bottom Hinge with your assistant and gently set it aside. It is important to keep the Hinge Washer  on the top of Bottom Hinge for re-installation.



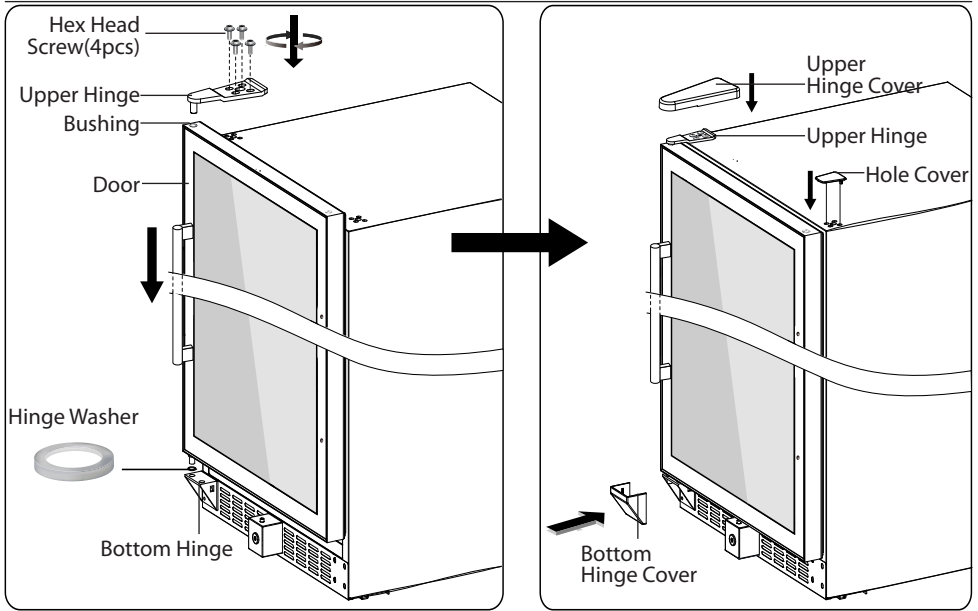
2. Move the Hinge Hole Cap (at the top of the door) from the left side to the right side. Move the Pivot Hinge (at the bottom of the door) from the right to the left side.



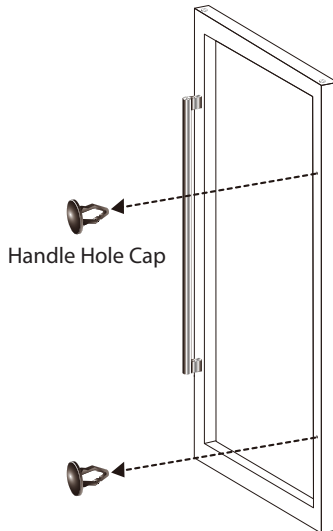
**3.** Remove the Bottom Hinge Cover by prying it off gently with small flat screwdriver. Remove the Bottom Hinge by unscrewing the Hex Head Screw (4pcs). Unscrew the Pan Head Screw (4pcs) from bottom left side. Now move the Bottom Hinge to the bottom left side and screw it tightly with the Hex Head Screws (4pcs). Move the Pan Head Screw (4pcs) to the bottom right side and screw it.



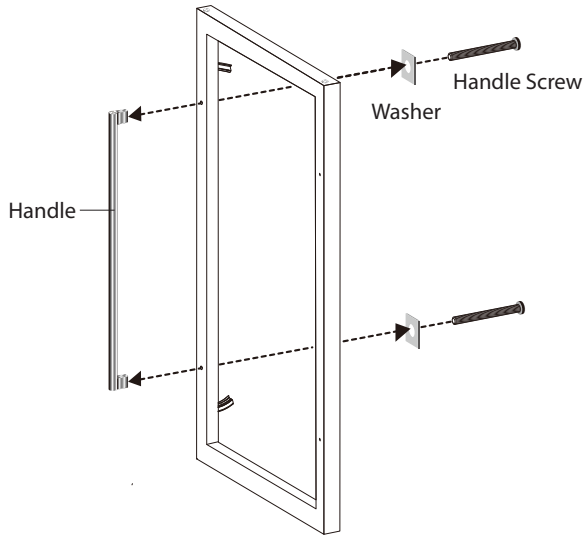
**4.** Hold the Door carefully with your assistant and place it on the top of Bottom Hinge, make sure the Pivot Hinge is at correct place through the Hinge Washer. Insert the pin of the Upper Hinge into the Bushing on the top right and fix it with Hex Head Screw (4pcs). Cover the Upper Hinge and Bottom Hinge with Upper Hinge Cover and Bottom Hinge Cover. Cover hinge screw holes on the top right with the Hole Cover.



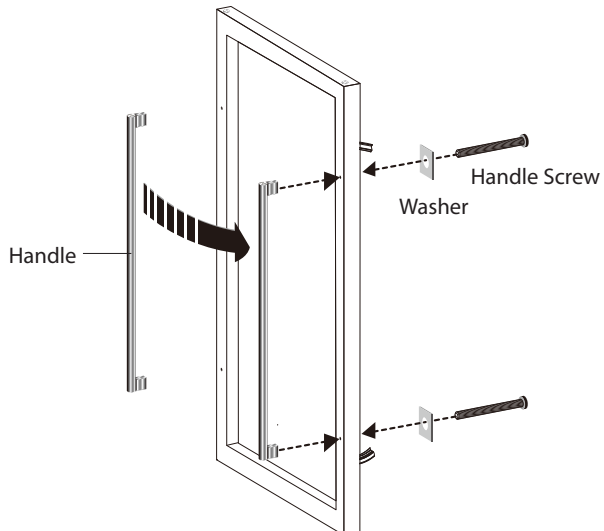
**5.** Remove the Handle Hole Cap (2pcs) on the right side of Door by prying it out gently with small flat screwdriver.



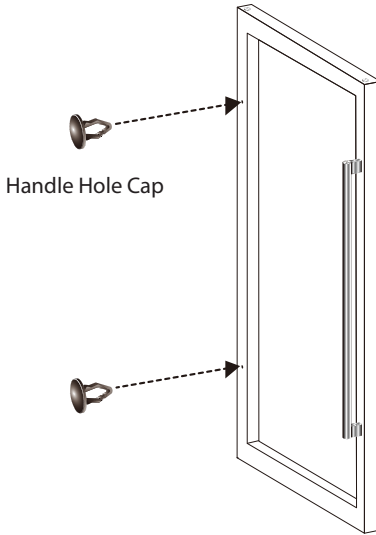
- 6.** Gently pull the door gasket to one side to reveal the Handle Screws (2pcs) on the left side of the Door. Unscrew it with a cross screwdriver and Remove the Handle (Leave the Washers as where it is).



- 7** Install the Handle to the right side of the door by screwing tightly the Handle Screws (2PCS).



8. Push the Handle Hole Cap (2pcs) into the Handle Holes on the left side of the Door.



## INSTALL REMOVABLE FRONT GRILLE

### ■ STX30DRB / STX30DS / STX60DRB / STX60DS

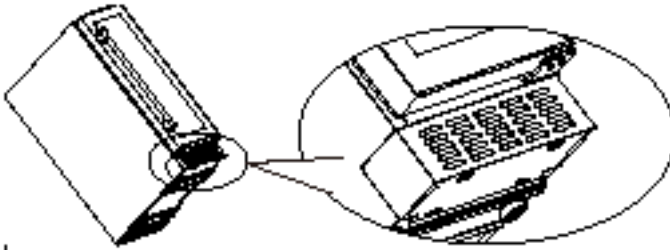
1. The Front Grille is packed as accessory, pls.unpack and remove it from cabinet inside. Place the unit on a soft and flat floor, lay it down to a suitable angle;



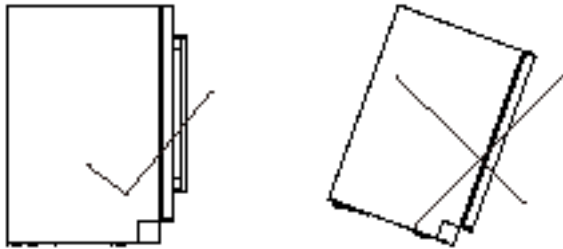
2. Install the Front Grille by screwing the 4 Tapping Screws (ST4.2x10) tightly with a phillips screwdriver;



3. The unit with the Front Grille installed.



**Warning: The Front Grille is not a supporter, to avoid it twisted, pls.never try to lay the unit down on the foot of the Front Grille.**



## DOWNLOAD OTHER LANGUAGE USER MANAL

You can find Norwegian, Swedish, Finnish and Danish user manual from below website.

1. You can download Norwegian user manual at <https://temptech.no/manualer-og-installasjon/>

2. You can download Swedish user manual at <https://temptech.se/manualar-och-installation>

3. You can download Finnish user manua at <https://temptech.fi/kayttoohjeet-ja-asennus/>

4. You can download Danish user manual at <https://temptech.dk/brugervejledning-og-installation/>

We take reservations about typing faults and if any problems occure, please contact us at [service@temptech.no](mailto:service@temptech.no).