

TEMPTECH

**THERMOELECTRIC
COOLER**

INSTRUCTION MANUAL

- Before use, please read this manual carefully.
- This appliance is Semi-conductor electric refrigerating appliance, which belongs to Category 10 other appliance according to ErP 643/2009, Its design temperature is 17°C.
- The range of storage temperature is from 8°C to 18°C、10°C to 18°C or 12°C to 18°C , but the test condition for energy consumption is equal to 15°C or higher at the ambient temperature 25°C.

It's suitable for use in bedrooms, apartments, hotels, hospitals and offices.

Before Putting Into Use

- Clean the appliance, and be thorough, especially in the interior (See "HOW TO CLEAN").
- In case the interior accessories are not correctly placed, rearrange them as described in chapter "NAME OF THE PARTS".

Instructions for Use

These instructions for use are intended for the user. They describe the appliance and its correct and safe use. They were prepared for various types/models of refrigerators therefore you may find in it description of some functions and accessories that your appliance does not have.

Tips for Energy Savings

- Try not to open the door too often, especially when the weather is wet and hot. Once you open the door, close it as soon as possible.
- Every now and then check if the appliance is sufficiently ventilated (adequate air circulation around the appliance).
- Set the thermostat from higher to lower as soon as possible. (It depends on the ambient temperature of the loaded appliance.)
- Setting higher temperature for the appliance can minimize the energy consumption of household refrigerating appliance at ordinary temperature.

Important

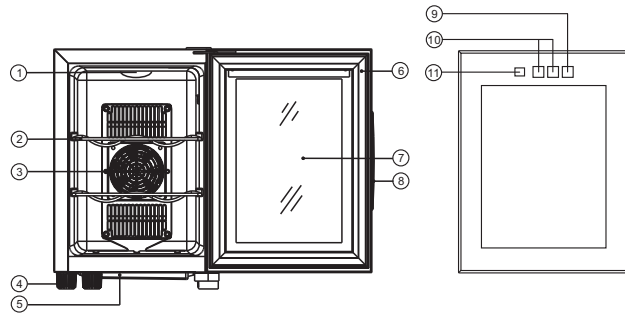
DANGER: Risk of child entrapment. Before you throw away your old refrigerator:

- Take off the door.
- Leave the shelves in place so that children may not easily climb inside.

- The appliance must be correctly connected to the power supply. (See: "HOW TO INSTALL").
- Do not touch the cooled surfaces while the appliance operates, especially not with wet hands, because the skin may stick to the cold surfaces.
- Disconnect the appliance from the power supply before repairing it (only a qualified technician should repair it), before cleaning or not in use for long time.
- Do not place power plug, microwave oven or other home appliance on the top of the refrigerator.
- The rating plate is inside the appliance or outside on the rear wall.
- Do not place refrigerator under the direct sun light, high temperature and high humidity
- Do not place any object near upper back of the unit which will affect the cooling of refrigerator.
- This appliance is not intended for use by persons (including children) with reduced physical, sensory or mental capabilities, or lack of experience and knowledge, unless they have been given supervision or instruction concerning use of the appliance by a person responsible for their safety.
- Children should be supervised to ensure that they do not play with the appliance.

Structure

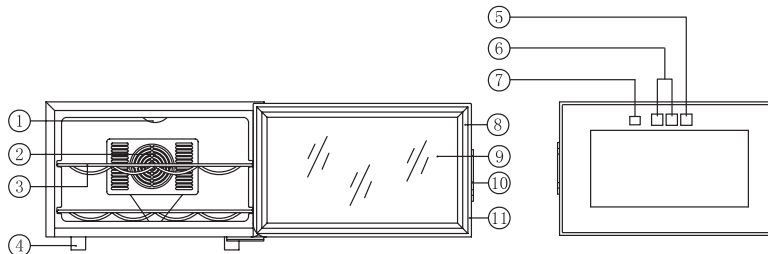
FW16SB



- 1. LIGHT
- 2. SHELF
- 3. FAN MASK
- 4. FOOT
- 5. WATER BOX
- 6. MAGNETIC SEAL

- 7. GLASS
- 8. DOOR FRAME
- 9. LIGHT SWITCH
- 10. TEMPERATURE CONTROL PANEL
- 11. TEMPERATURE DISPLAY

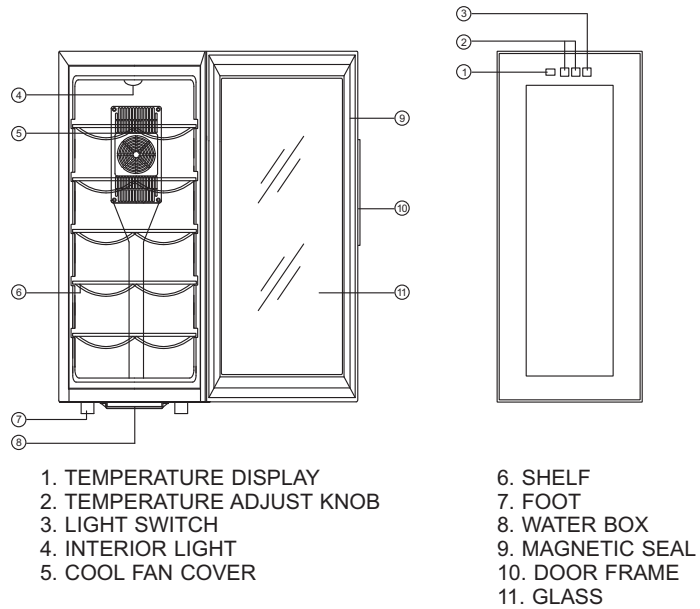
FW23SB



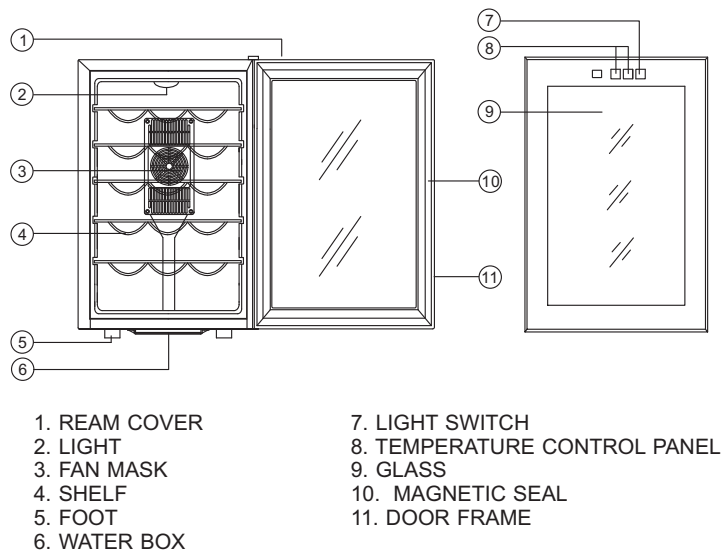
- 1. LIGHT
- 2. FAN MASK
- 3. SHELF
- 4. FOOT
- 5. LIGHT SWITCH
- 6. TEMPERATURE CONTROL PANEL

- 7. DISPLAY
- 8. MAGNETIC SEAL
- 9. GLASS
- 10. DOOR HANDLE
- 11. DOOR FRAME

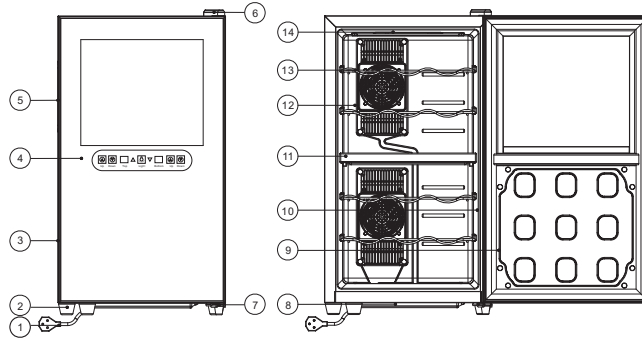
FW33SB



FW48SB

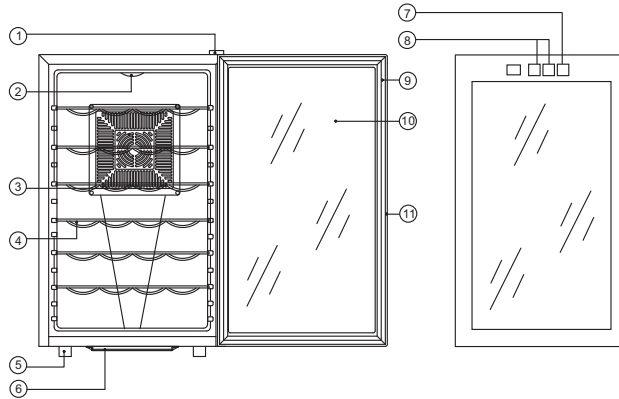


FW48DB



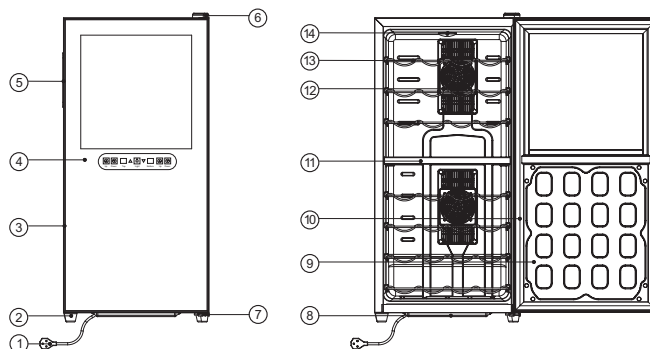
- | | |
|-------------------------|--------------------|
| 1. POWER CORD | 8. WATER TRAY |
| 2. FOOT | 9. DOOR LINER |
| 3. DOOR FRAME | 10. DOOR SEAL |
| 4. GLASS DOOR | 11. ISOLATED BOARD |
| 5. RECESSED HANDLE | 12. COLD FAN MASK |
| 6. TOP DOOR HINGE COVER | 13. SHELF |
| 7. BOTTOM DOOR HINGE | 14. LAMP COVER |

FW65SB



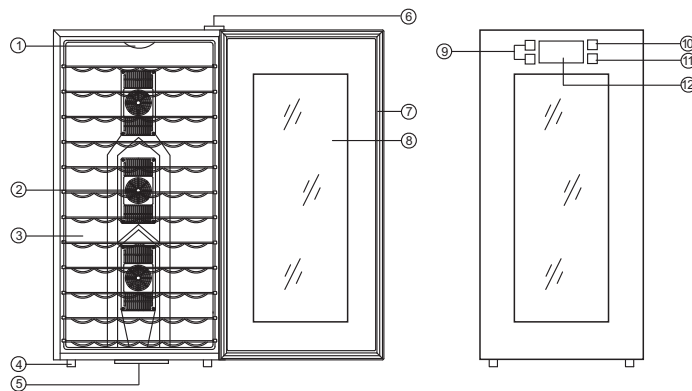
- | | |
|---------------|------------------------------|
| 1. REAM COVER | 7. LIGHT SWITCH |
| 2. LIGHT | 8. TEMPERATURE CONTROL PANEL |
| 3. FAN MASK | 9. MAGNETIC SEAL |
| 4. SHELF | 10. GLASS |
| 5. FOOT | 11. DOOR FRAME |
| 6. WATER BOX | |

FW78DB



- | | |
|-------------------------|--------------------|
| 1. POWER CORD | 8. WATER TRAY |
| 2. FOOT | 9. DOOR LINER |
| 3. DOOR FRAME | 10. DOOR SEAL |
| 4. GLASS DOOR | 11. ISOLATED BOARD |
| 5. RECESSED HANDLE | 12. COLD FAN MASK |
| 6. TOP DOOR HINGE COVER | 13. SHELF |
| 7. BOTTOM DOOR HINGE | 14. LAMP COVER |

FW180SB



- | | |
|---------------|------------------------------|
| 1. LIGHT | 7. MAGNETIC SEAL |
| 2. FAN MASK | 8. GLASS |
| 3. SHELF | 9. TEMPERATURE CONTROL PANEL |
| 4. FOOT | 10. LIGHT SWITCH |
| 5. WATER BOX | 11. SET SWITCH |
| 6. REAM COVER | 12. LCD |

HOW TO OPERATE

Starting Your New Refrigerator

1. Clean the refrigerator thoroughly. Wipe the outside with a soft dry cloth, the interior with a clean moist cloth.
2. Insert the power supply cord into the socket.

Normal operating

When the refrigerator works with full power, the two LEDs on the circuit board will flash. The red one shows the power input status. The green one shows the output status of the cooling system. Meanwhile the fan inside the refrigerator begins to work. When the door is opened, the light under the temperature adjuster will turn on automatically.

The temperature range for refrigerator is 8°C to 18°C、10°C to 18°C or 12°C to 18°C. When the temperature is set on one certain point and the temperature inside reaches this point, the automatic temperature control system begins to work and the cooling system goes into linear temperature keeping status.

Note: Wait 3-5 minutes before restarting if you unplug the refrigerator. The unit may fail to operate properly if restarted too quickly.

HOW TO CLEAN

Cleaners: Never use harsh, abrasive cleaners, heavy-duty cleaners, or solvents on any surface.

Exterior: Wipe with damp, sudsy cloth, rinse and dry. For stubborn stains and for periodic waxing, use silicon wax.

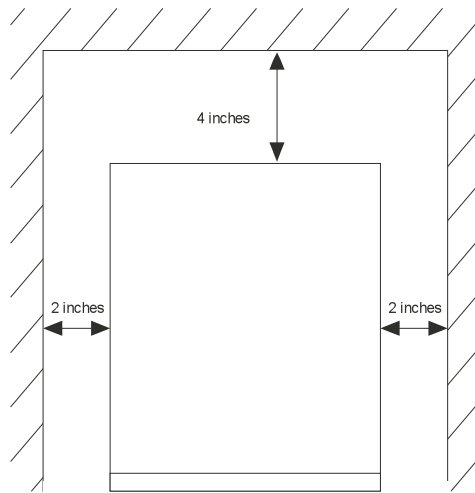
Refrigeration Section: Wash shelves and other removable parts in warm sudsy water, rinse and dry. Wash interior with baking soda solution (3 tablespoons to 1 liter of water) or warm sudsy water, rinse and dry.

Magnetic Door Seals: Wash with warm sudsy water.

The Finishing Touch: Replace all parts and return thermostat dial to desired setting.

HOW TO INSTALL

- Install refrigerator in a convenient location away from extreme heat and cold. Allow sufficient clearance between the refrigerator and side wall so the door will open without obstruction. Refrigerator is not designed for recessed installation.
- Select a space with strong level floor.
- Allow 2 inches (5cm) of space between the refrigerator's side & wall and 4 inches (10cm) between back & the wall.



POWER CORD REPLACEMENT

If the supply cord is damaged, it must be replaced by the manufacture or its service agent or a similarity qualified person in order to avoid a hazard.

WHAT TO DO ...

When the refrigerator is not in use for a prolonged period of time:

- Remove the power plug from the power supply.
- Remove all contents from the refrigerator.
- Dry the interior and leave the door open for a few days.

When you wish to move the refrigerator:

- Secure all movable parts and contents. (Package them separately if necessary.)
- Transport the refrigerator only in an upright position.

If the refrigerator seems too warm inside:

- Check that the door has not been opened too frequently or for a long period.
- Check that the interior circulation is not obstructed by having too many goods stored. (The refrigerator is overloaded)
- Did you store anything hot, without first cooling it to room temperature?
- Is there sufficient clearance around all sides and above the refrigerator?

If the refrigerator starts making any unusual noises:

- Is it wobbling? Re-level it and check if it now operates normally.
- Have any objects fallen behind the refrigerator? If so, remove them and check if operation is now normal.
- Are any containers inside the refrigerator vibrating or resonating? If so, rearrange them then check to see if operation has returned to normal.

If the inside light flashes:

- Set temperature is higher than inner temperature.
- The automatic defrost function starting to work.

Disposal of the appliance



This marking indicates that this product should not be disposed with other household wastes throughout the EU. To prevent possible harm to the environment or human health from uncontrolled waste disposal, recycle it responsibly to promote the sustainable reuse of material resources. To return your used device, please use the return and collection systems or contact the retailer where the product was purchased. They can take this product for environmental safe recycling.

Technical data:

Model No.	FW16SB	FW23SB	FW33SB	FW48DB	FW48SB
Volume	16 L	23L	33L	48 L	48L
Rated Voltage	220V~240V	220V~240V	220V~240V	220V~240V	220V~240V
Rated Frequency	50Hz	50Hz	50Hz	50Hz	50Hz
Climate Type	SN ; N	SN ; N	SN ; N	SN ; N	SN ; N
Input Power	50W	50W	50W	100W	70W
Power Consumption KW-h/24h	0.31	0.37	0.36	0.54	0.47
Temperature Control Range	8-18°C	8-18°C	12-18°C	8-18°C&12-18°C	12-18°C
Net Weight	8.0kg	8.7kg	11.3kg	16 kg	14.1kg
Product Size (WXHXD)mm	252X378X515	410X275X502	252X616X515	355X645X511	355X648X511

Model No.	FW65SB	FW78DB	FW180SB
Volume	65L	78L	180L
Rated Voltage	220V~240V	220V~240V	220V~240V
Rated Frequency	50Hz	50Hz	50Hz
Climate Type	SN ; N	SN ; N	SN ; N
Input Power	70W	140W	185W
Power Consumption KW-h/24h	0.52	0.65	2.2
Temperature Control Range	12-18°C	8-18°C&12-18°C	12-18°C
Net Weight	19.3kg	22.6kg	44.8kg
Product Size (WXHXD)mm	460X738X520	400 X 848 X 515	570X1195X512

Notes: Temperature level in each zone assumes that room temperature is at 20-25 degrees Celsius , and minimum 5 degrees over the set/wanted temperature inside the wine cooler.